



ARIENS
THE KING OF SNOW

ITEM/ARTICLE: 72103300

SNO-THRO® CAB KIT

English
Français

(page 01)
(page 13)



⚠ WARNING

READ YOUR INSTRUCTIONS COMPLETELY AND CAREFULLY BEFORE ATTEMPTING TO SET UP YOUR CAB OR OPERATE YOUR SNOW THROWER WITH YOUR NEW CAB INSTALLED.

Ariens Sno-Thro and Ariens are registered trademarks of the Ariens Company.



Questions, problems, missing parts? Before returning to your retailer, call customer service at 1-800-854-2315, 8 a.m. - 4 p.m., PST, Monday-Friday.
Email: customerservice@classicaccessories.com

TABLE OF CONTENTS

Safety Information	2
Package Contents List (Parts and Hardware)	3
Tools Needed	3
Assembly Time.....	3
Assembly Instructions	4-11
Care and Maintenance.....	12
Troubleshooting.....	12
Warranty.....	12
Replacement Parts.....	12



SAFETY INFORMATION

Please read and understand this entire manual before attempting to assemble, operate or install the product. If you have any questions regarding the product please call Classic Accessories customer service at 1-800-854-2315, 8 a.m. - 4 p.m., PST, Monday-Friday.

1. THE CAB IS NOT A PROTECTIVE DEVICE.

The cab will NOT protect against noise, engine exhaust, chemicals, collision, roll-over or other accidents.

2. Follow all of your snow thrower manufacturer's recommended safety instructions.

3. Operating a snow thrower with this cab will restrict your field of vision. Watch carefully for people, children, obstructions or obstacles.

4. The cab adds height to your snow thrower. Remember the height of your cab. Watch carefully for tree limbs or other items overhead that you could previously go under without a cab.

5. Before use, be sure that all bolts are tight. If one or more bolts comes loose, failure of cab parts may occur.

- Never lubricate, service or adjust the machine or attachment while it is moving. Keep safety devices in place and in working condition.
- Keep hardware tight.
- Keep hands, feet, clothing, jewelry, and long hair away from any moving parts to prevent them from getting caught.
- Disconnect battery or remove spark plug wire (for gasoline engines) before making any repairs.
- Keep all parts in good condition and properly installed. Fix damage immediately. Replace worn or broken parts. Replace all worn or damaged safety and instruction decals.
- Check all hardware at frequent intervals to be sure the equipment is in safe working condition.
- Do not modify machine or safety devices. Unauthorized modifications to the machine or attachment may impair its function and safety.

PRACTICE SAFE MAINTENANCE

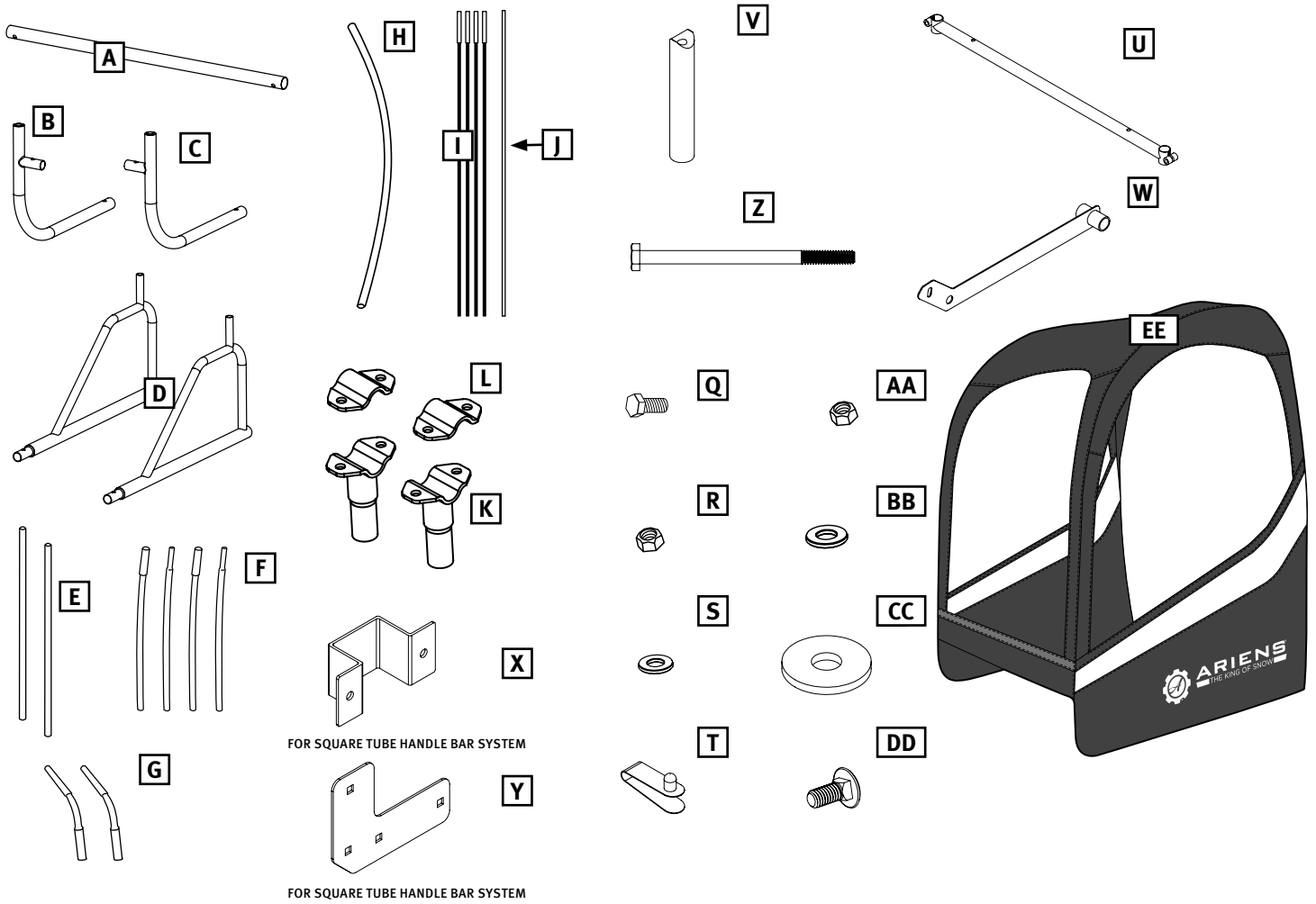
- Only qualified, trained adults should service this machine.
- Understand service procedure before doing work.
- Keep area clean and dry.
- Do not operate the engine in a confined space where dangerous carbon monoxide fumes can collect.

WEAR APPROPRIATE CLOTHING

- Always wear eye protection when operating the machine.
- Wear close-fitting clothing and safety equipment appropriate for the job.
- Always wear substantial footwear and long trousers.
- Wear a suitable ear protective device such as earplugs.
- Loud noise can cause impairment or loss of hearing.

PACKAGE CONTENTS LIST (PARTS)

START ASSEMBLY ON PAGE 4



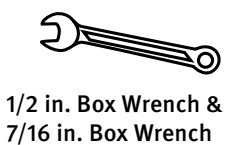
FOR SQUARE TUBE HANDLE BAR SYSTEM

FOR SQUARE TUBE HANDLE BAR SYSTEM

Part	Description	Qty.	Part No.
A	Center Mounting Bar	1	PRT-72102600-A
B	Right Mounting Bar	1	PRT-72102600-B
C	Left Mounting Bar	1	PRT-72102600-C
D	Mounting Bar Ends	2	PRT-72102600-D
E	Front Poles	2	PRT-72102600-E
F	Back Hoop Side Poles (2 with PVC ends)	4	PRT-72102600-F
G	Back Hoop Corner Poles	2	PRT-72102600-G
H	Back Hoop Top Pole	1	PRT-72102600-H
I	Front Hoop Side Poles - Black (with PVC ends)	4	PRT-72102600-I
J	Front Hoop Top Pole - White	1	PRT-72102600-J
K	Mounting Post, Upper Clamps	2	PRT-72103300-K
L	Mounting Post, Upper Plates	2	PRT-72102600-L
X	Square Tube Hat Bracket	1	PRT-72103300-X

Part	Description	Qty.	Part No.
Y	Square Tube Flat Bracket	1	PRT-72103300-Y
V	Mounting Bracket Spacer	2	PRT-72103300-V
Z	Hex Bolts 1/4" - 20 x 8.25"	2	PRT-72103300-PTKT
Q	Hex Bolts 5/16" - 18 x 1.25"	6	PRT-72103300-PTKT
R	Nylock Nuts 5/16"	8	PRT-72103300-PTKT
S	Washers 5/16"	12	PRT-72103300-PTKT
T	Spring Pins (4 installed 2 extra)	6	PRT-72103300-PTKT
U	Mounting Bracket	1	PRT-72103300-U
EE	Cab Fabric Shell	1	PRT-72103300-EE
W	Support Brace	1	PRT-72103300-W
AA	Nylock Nuts 1/4"	2	PRT-72103300-PTKT
BB	Washers 1/4"	4	PRT-72103300-PTKT
CC	Fender Washer 5/16"	2	PRT-72103300-PTKT
DD	Carriage Bolt 5/16" - 18 x .75"	4	PRT-72103300-PTKT

TOOLS NEEDED



OR

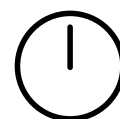


OR



ASSEMBLY TIME

One Hour (60 Minutes)



STEP 1

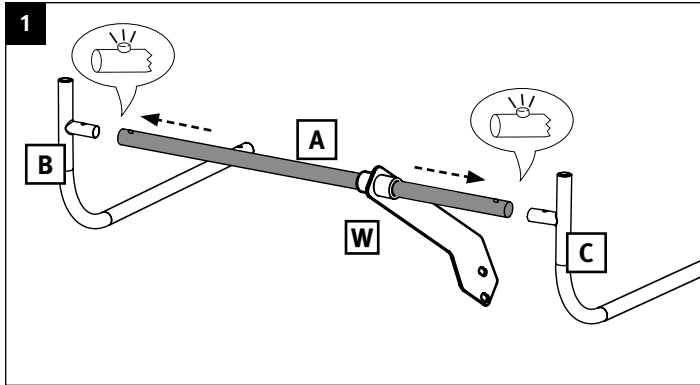
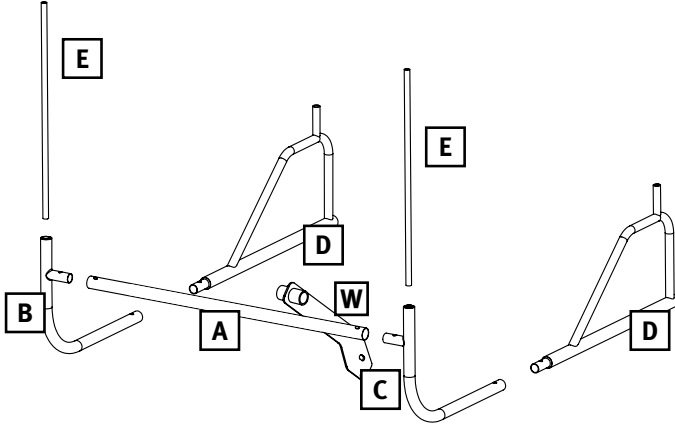
ASSEMBLE THE FRAME (FIG. 1-3)

Note: Assemble frame on a clean flat surface next to your snow thrower for easy mounting.

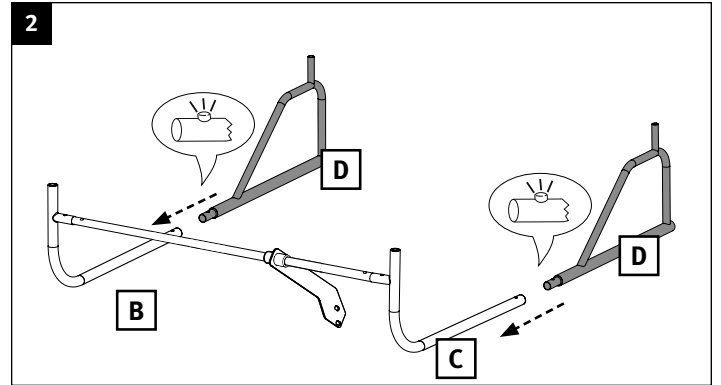
PARTS NEEDED

TOOLS NEEDED

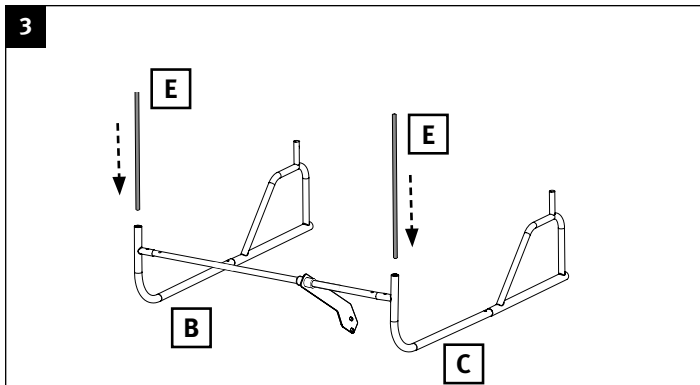
NONE



Slide the support brace [W] onto the center mounting bar [A].
Insert the center mounting bar [A] onto the stub tube of the right mounting bar [B] until the spring button pops through hole in center bar. Repeat with left mounting bar [C].



Slide the mounting bar end [D] onto the end of the right mounting bar [B]. Making sure the spring button on the mounting bar end [D] pops into the hole on the side mounting bar [B]. Repeat with opposite mounting bar [D].



Insert the front poles [E] onto the upright ends of the side mounting bars [B, C].

STEP 2

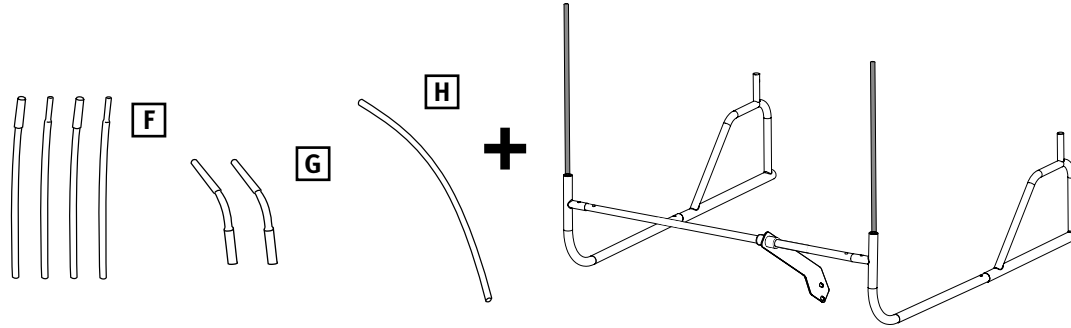
ASSEMBLE THE BACK HOOP FRAME (FIG. 1-6)

Note: It may help to place the parts on a flat surface for easier assembly.

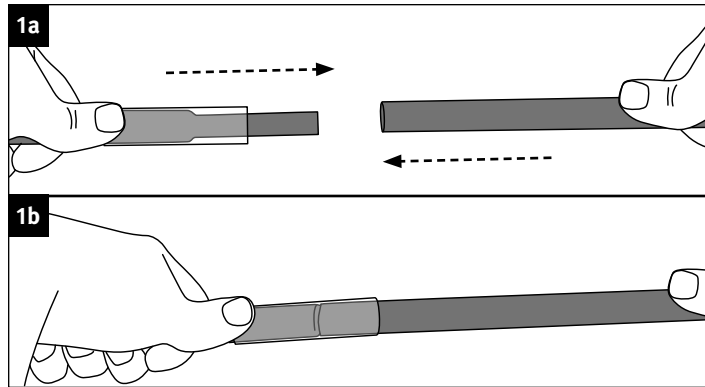
Note: The back hoop side and corner poles [F and G] each have clear plastic sleeves on one end. The frame hoop top pole [H] DOES NOT have clear plastic sleeves.

PARTS NEEDED

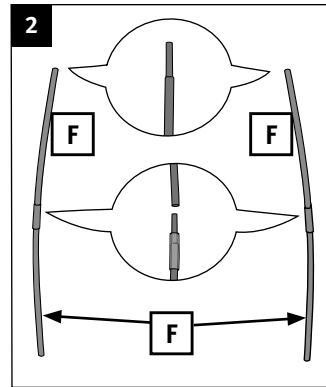
TOOLS NEEDED



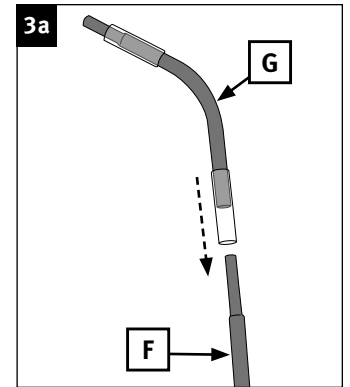
NONE



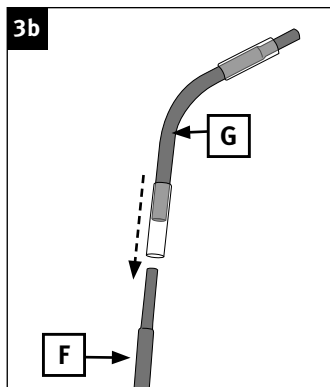
The back hoop side poles [F] slide together and are held in place with the pvc sleeves.
*Note: the poles may fit snugly. To release any trapped air and ensure a tight fit, you may need to wiggle the poles together.



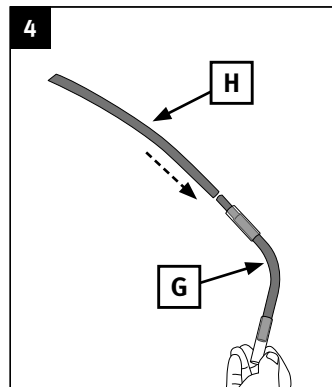
Connect two side poles [F] together for each side of the cab frame.



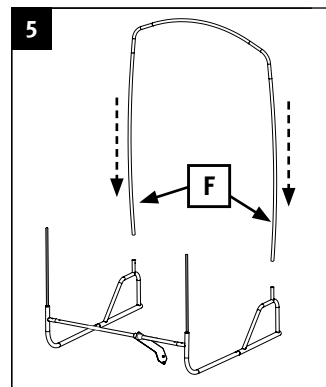
Insert the back hoop corner poles [G] over the end of the top back hoop side pole [F] assembly.



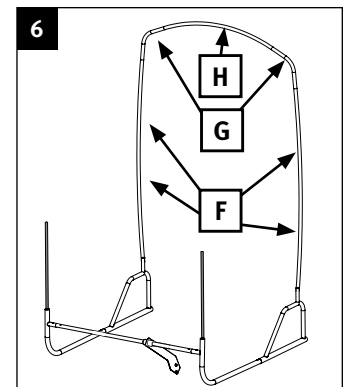
Repeat with the remaining back hoop corner poles [G] and the remaining top back hoop side poles [F] set.



Insert each end of the back hoop top pole [H] into the ends of both back hoop corner poles [G].



Insert the back hoop side pole assembly into the upper stub tubes on the right and left side of the frame.



Make sure all the poles are fully inserted before proceeding.

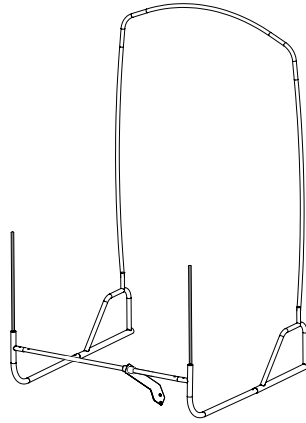
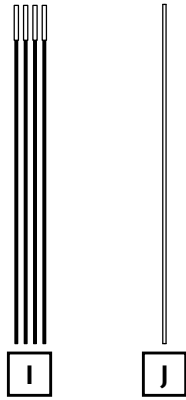
STEP 3

ASSEMBLE THE FRONT POLE (FIG. 1-3)

⚠ WARNING: Use care when assembling the front hoop side and top poles. Poles under tension can slip out of the metal/plastic sleeves causing serious injury. Safety goggles are recommended.

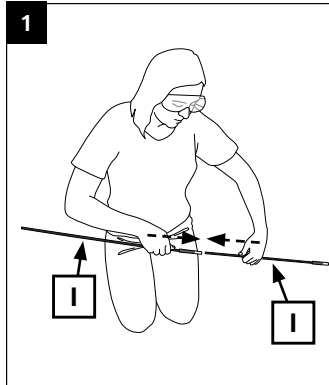
PARTS NEEDED

TOOLS NEEDED

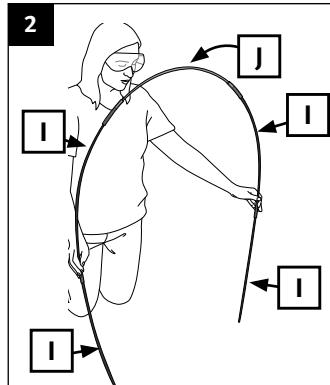


NONE

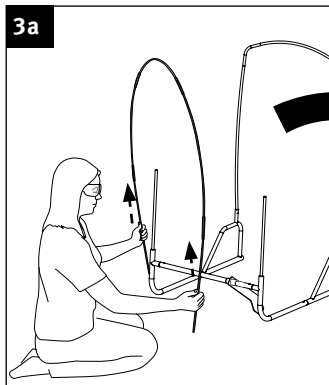
NOTE: When joining rods, ensure ends pass through the pvc sleeve and insert fully into the metal connector. Failure to fully connect rods may result in damage to components.



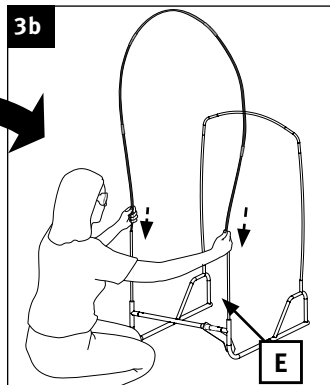
1
Join the fiber rods together PVC sleeve end to non-PVC sleeve end. When complete, the color sequence of the rods will be black, black, white, black, black.



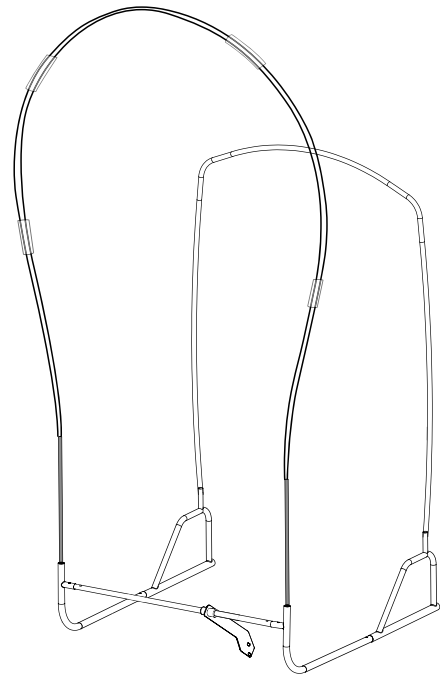
2
Grasp the front hoop rod assembly and bend into a curve.



3a
While grasping both ends of the assembled front hoop, lift...



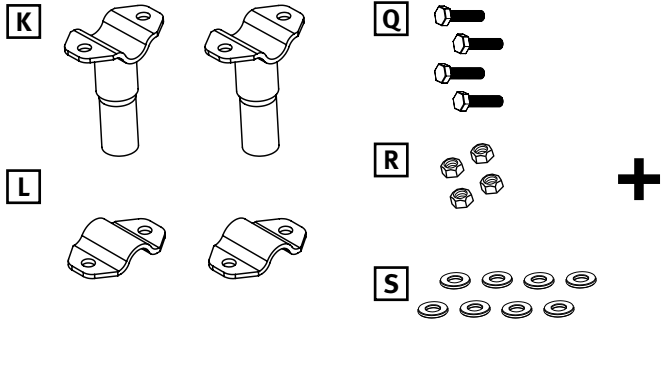
3b
...and insert into the ends of the front poles [E].



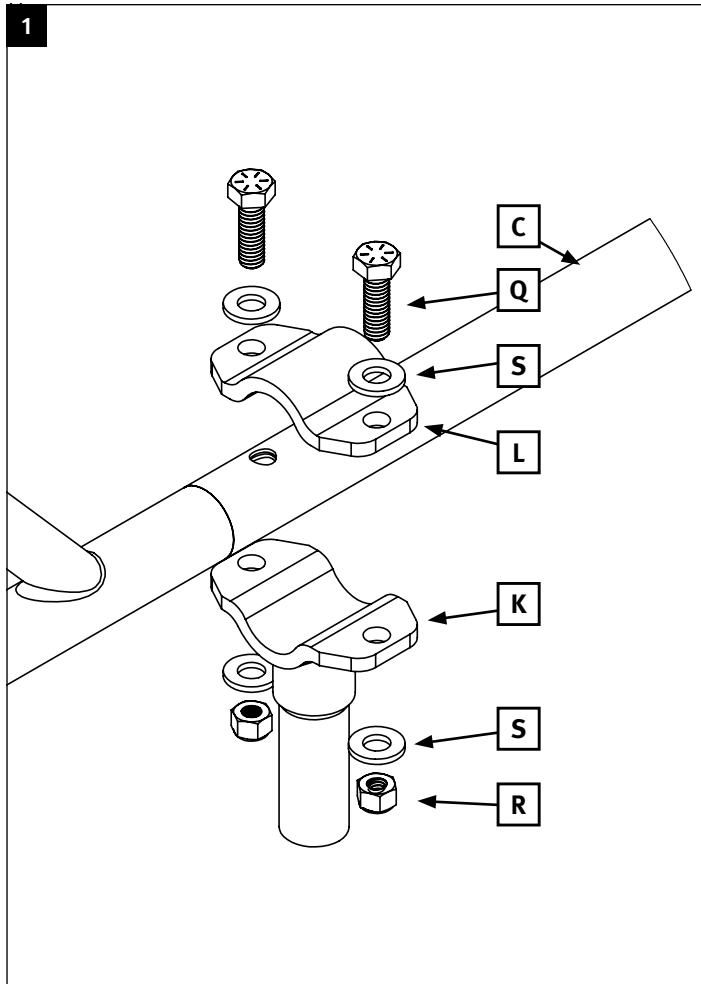
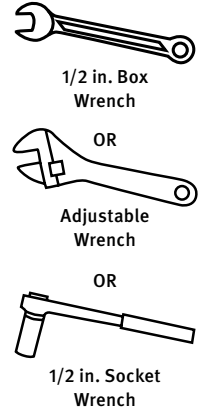
STEP 4

INSTALL MOUNTING POST (FIG. 1-2)

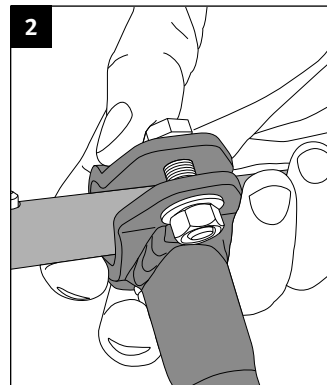
PARTS NEEDED



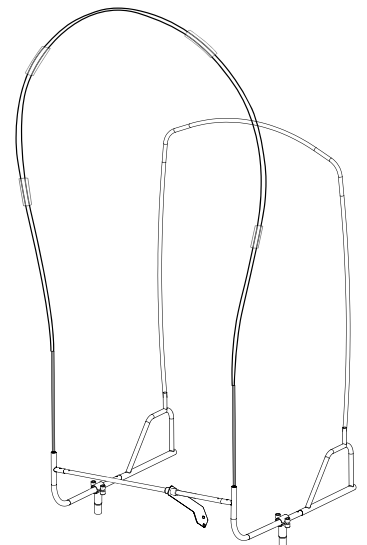
TOOLS NEEDED



Assemble the mounting post upper clamp [K] to the top plate [L] on the side rail of the frame [C], with four washers [S], two hex bolts [Q] and two nylock nuts [R].
HAND TIGHTEN. Later adjustment will be necessary to level the cab.



Repeat with the remaining mounting post set on the opposite side of the frame.

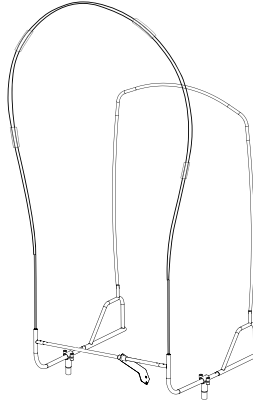
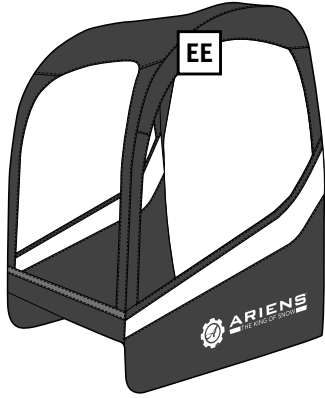


STEP 5

INSTALL THE CAB FABRIC SHELL ONTO THE FRAME (FIG. 1-5)

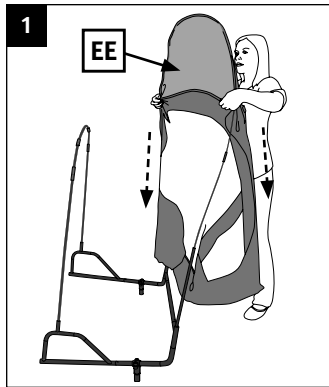
Note: Fabric shell will be tight when properly assembled.

PARTS NEEDED

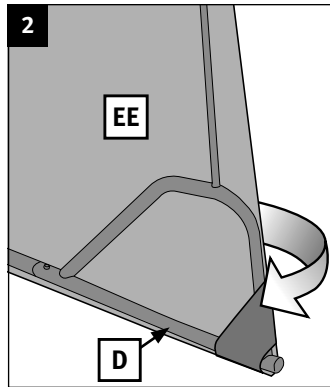


TOOLS NEEDED

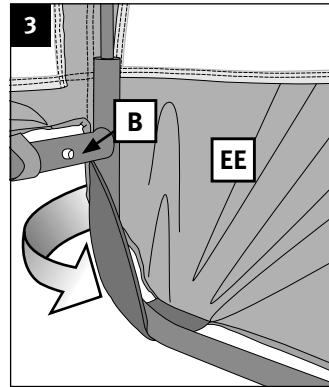
NONE



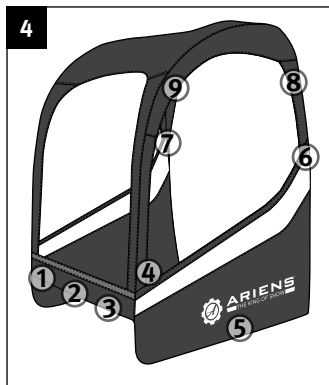
1 Slide the pocket in the top of the fabric shell [EE] over the installed front hoop assembly.



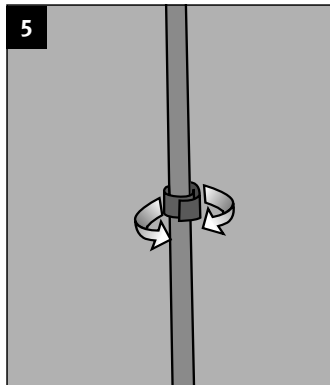
2 Pull the shell fabric to the back to secure the elastic strap at the back of the fabric shell [EE] around the end of the mounting bar end [D]. Repeat process on the opposite side.



3 Slide the front elastic strap at the bottom of the fabric shell [EE] around the right mounting bar corner [B]. Repeat on the other side with the left mounting bar [C].



4 Attach rip-and-grip tabs in the proper sequence. Fabric will be tight to the frame and hoop assemblies.



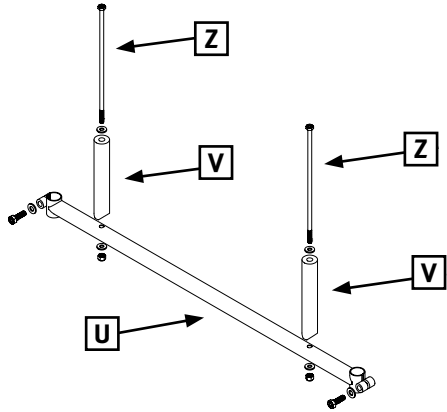
5 Make sure to correctly attach the rip-and-grip tabs to the frame.

STEP 6

ATTACH THE MOUNTING SYSTEM TO YOUR SNOW THROWER (FIG. 1-7)

CAUTION: No part of the fabric cab skin should touch the engine or exhaust system of your snow thrower.

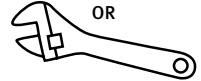
PARTS NEEDED



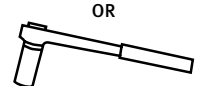
TOOLS NEEDED



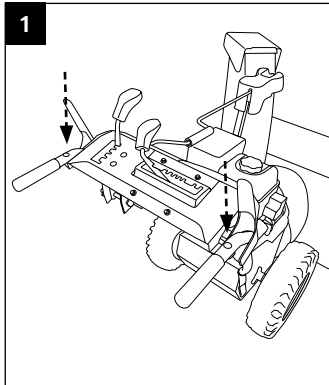
1/2 in. & 7/16 in.
Box Wrench



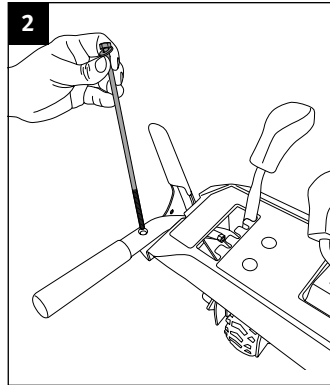
OR
Adjustable
Wrench



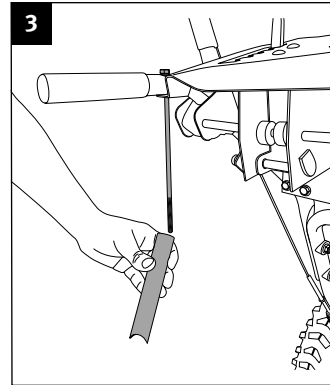
OR
1/2 in. & 7/16 in.
Socket Wrench



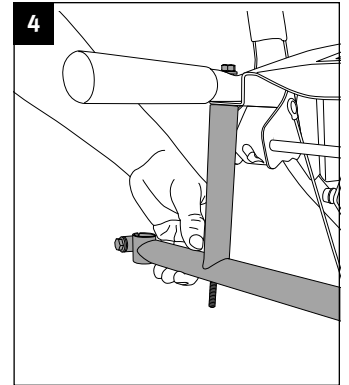
1
Remove the factory bolts from both sides of the snow thrower handles.



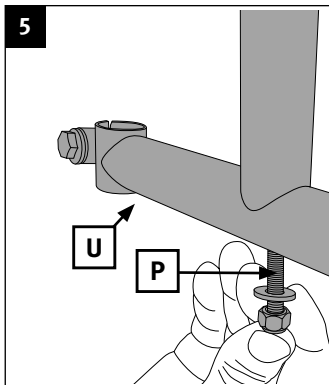
2
Place a washer on the 1/4" hex bolt [Z], and insert in place of the factory bolts. Repeat on opposite side.



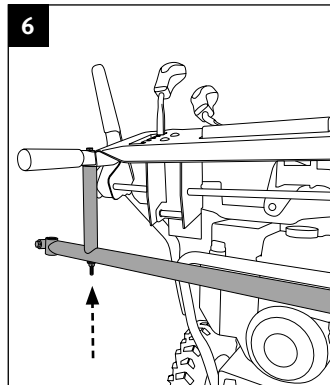
3
Slide one mounting bracket spacer [V] onto the hex bolt.



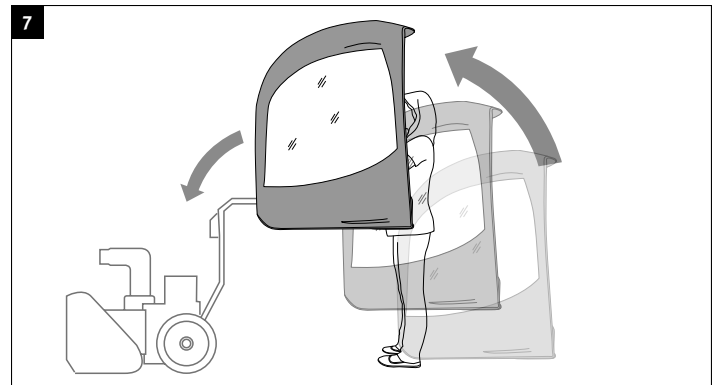
4
Next, slide the mounting bracket [U] onto the hex bolt.



5
Hand tighten with a washer and nylock nut. Repeat steps 3, 4 & 5 on opposite side.



6
Tighten both nuts securely to complete assembly.



7
Lift the completed cab assembly and install [K] mounting posts into mounting bracket [U].

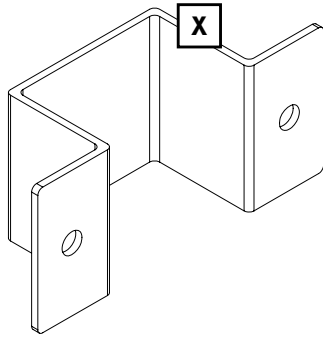
DO NOT TIGHTEN HARDWARE. Further adjustment may be needed.

STEP 7

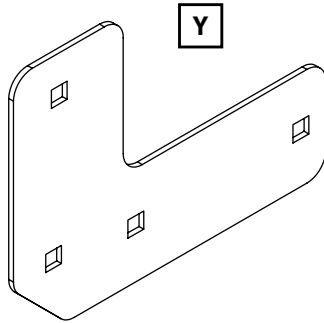
CONNECTING THE SUPPORT BRACE TO MACHINE (FIG. 1-8)

Note: If your Ariens snow thrower has a square tube handle bar system, use the square tube hat bracket [M] and square tube flat bracket [N] to attach the support brace [W].

PARTS NEEDED



FOR SQUARE TUBE MACHINES ONLY



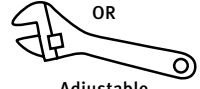
FOR SQUARE TUBE MACHINES ONLY



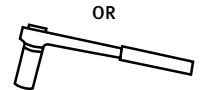
TOOLS NEEDED



1/2 in. Box Wrench



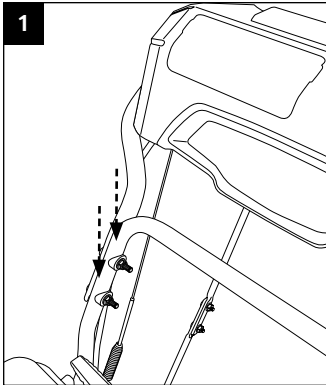
Adjustable Wrench



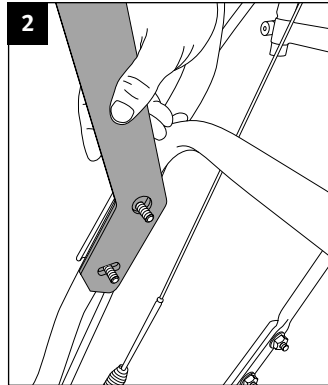
1/2 in. Socket Wrench

FOR ROUND TUBE MACHINE, FOLLOW STEPS 1-4

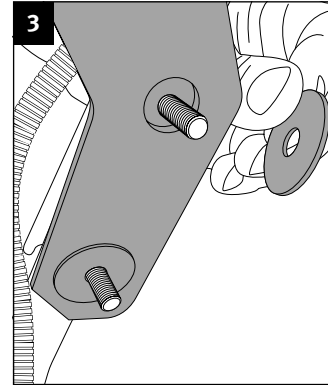
NOTE: The right side of the machine refers to the operator's perspective when operating.



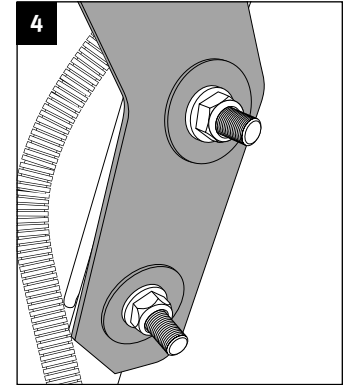
1 Remove the nuts from the factory installed bolts on the right side of the Snow Thrower handle.



2 Fit the support brace [W] over the bolts.



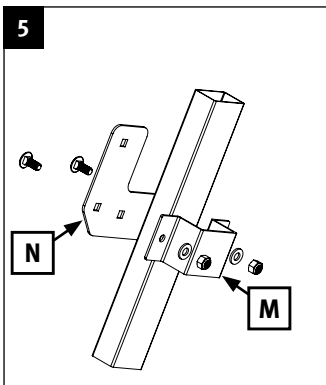
3 Place a fender washer [CC] on each bolt.



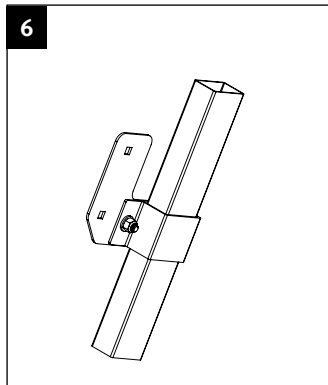
4 Hand tighten with nylock nuts.

FOR SQUARE TUBE MACHINE, FOLLOW STEPS 5-8

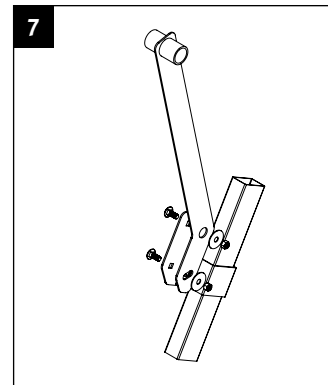
NOTE: The left side of the machine refers to the operator's perspective when operating.



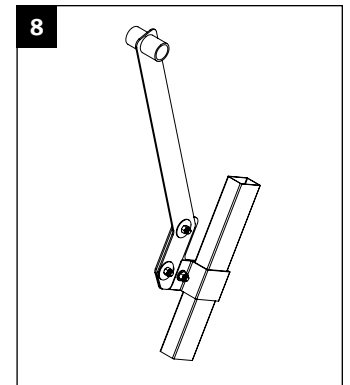
5 If your machine has a square tube handle bar system, fit the flat bracket [N], and the hat bracket [M] on the left side of the machine.



6 Secure the flat and hat bracket to the square tube with carriage bolts, washers and nylock nuts. Hand tighten only to allow for adjustments.



7 Position the support brace [W] so that the holes align with the holes located on the flat bracket [Y].



8 Adjust the support brace [W] so that it clears the engine and hand tighten to the flat bracket [Y] with carriage bolts, washers and nylock nuts.

STEP 8

ADJUSTING SNOW THROWER CAB ANGLE (FIG. 1-3)

CAUTION: No part of the fabric cab skin should touch the engine or exhaust system of your snow thrower.

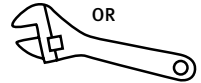
PARTS NEEDED

NONE

TOOLS NEEDED

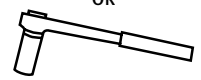


1/2 in. Box Wrench



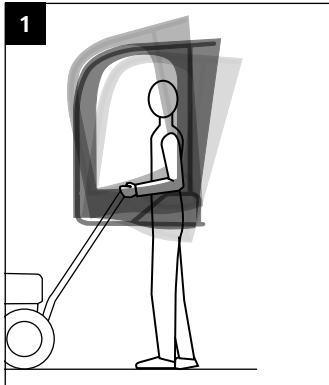
OR

Adjustable Wrench

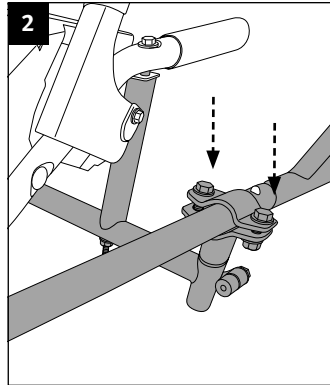


OR

1/2 in. Socket Wrench

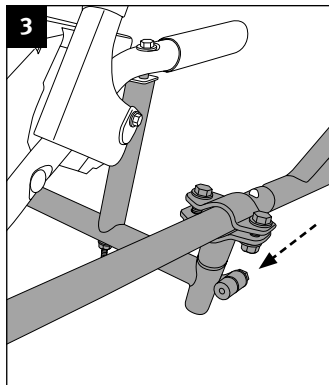


1
Adjust for best visibility, weather protection and headroom. Follow Steps 2, 3 & 4.

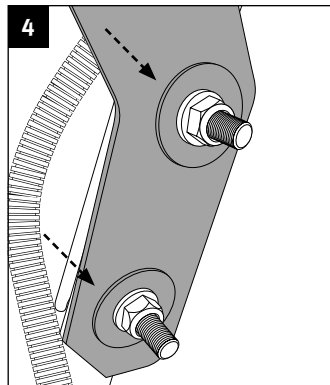


2
When you are satisfied with the position of your cab, tighten the side mounting posts [L].

NOTE: Skin removed for clarity.

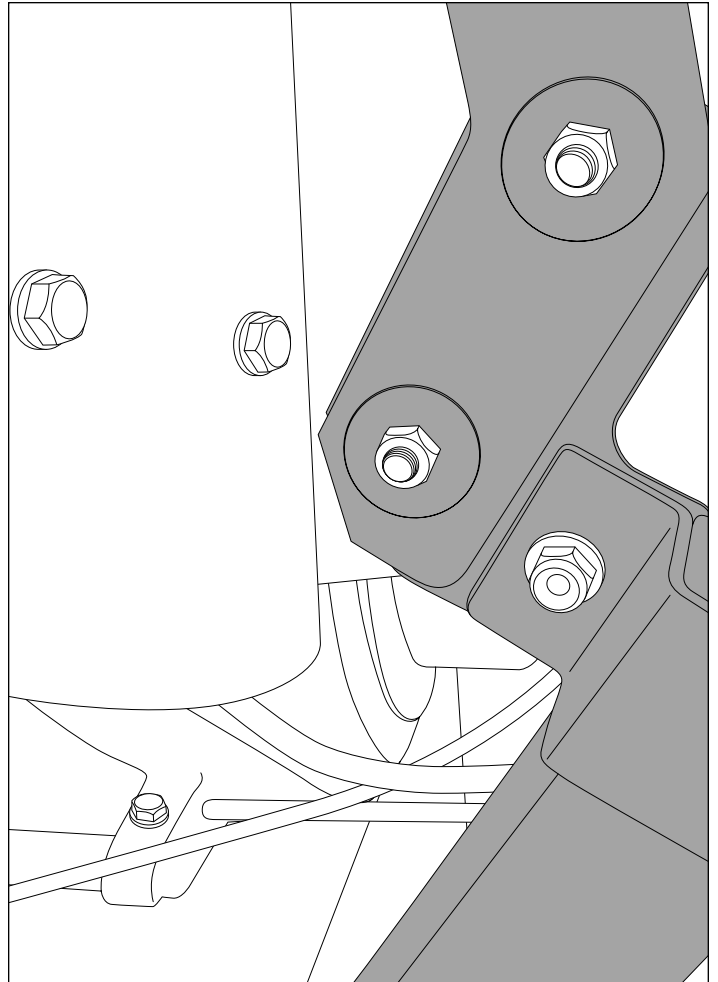


3
When you are satisfied with the position of your cab, tighten the bolts on the mounting bracket [U].



4
When you are satisfied with the position of your cab, tighten the bolts on the support brace [W]. To properly support the cab be sure to securely tighten all bolts before use.

FOR SQUARE TUBE MACHINE



The support brace [W] will be close, but will NOT hit the engine, once properly installed and adjusted.

CARE AND MAINTENANCE

STORAGE

Store in a clean dry place. Never store a wet cab in an enclosed area as it can develop mildew. Avoid folding the plastic windows of the cab for long periods.

BOLTS

Check all bolts before each use to see that they are tight. If one or more bolts come loose, failure of cab parts may occur.

WINDOWS

Don't clean the plastic windows when they are dry—you can scratch them. Hose them with water and rub them with your bare hands. Liquid soap may be used. During freezing weather an automotive windshield cleaner and a soft cloth will work (don't use your bare hands with the cleaner). Fabric areas of the cab may be washed with a rag. DO NOT use soap or detergent as it may remove protective coatings added by the factory.

TROUBLESHOOTING

Problem	Possible Cause	Corrective Action
Cab front interferes with the snow thrower controls.	The cab frame mounted too low.	Add the extender bars [U] to the lower mounting posts [M].
Not enough headroom.	The cab frame mounted too low.	Add the extender bars [U] to the lower mounting posts [M].

TWO YEAR LIMITED WARRANTY

The manufacturer, Classic Accessories, LLC, will repair or replace, without charge, this product which under normal usage has proven to be defective in its manufacture or workmanship for a period of two (2) year from the date of initial retail purchase. This warranty is valid only to the original purchaser. This warranty is not transferable and does not cover any parts that have been subjected to misuse, abuse, alteration, overload, accident or normal wear of moving parts.

Service can be obtained by contacting Classic Accessories at classicaccessories.com or 1-800-854-2315. Any cab or cab part that is returned to Classic Accessories, together with the original sales receipt as proof of initial retail purchase, and with postage prepaid, will be repaired or replaced without cost if the unit is found defective. This warranty does not apply to accessories or damage caused where repairs have been made or attempted by others. All warranty work will be completed in a reasonable time, not to exceed 60 days after receiving the product.

Classic Accessories is not responsible for direct, indirect, incidental or consequential damages. Some states and provinces do not allow limitations on how long an implied warranty lasts and/or do not allow the exclusion or limitation of incidental damages, so the above limitations may not apply to you. This warranty gives you specific legal rights, and you may also have other rights, which vary from state to state and province to province.

WARRANTY VOID IF PRODUCT USED FOR COMMERCIAL OR RENTAL PURPOSES OR IF THE SNOW THROWER CAB IS TRANSPORTED ON AN OPEN TRAILER OR TRUCK.

FOR ANY WARRANTY INFORMATION

Call: 1-800-854-2315 for Warranty Assistance, Monday - Friday 8 a.m. - 4 p.m., PST

REPLACEMENT PARTS

If parts are missing or if you need replacement parts, please call Classic Accessories customer service at 1-800-854-2315, 8 a.m. - 4 p.m., PST, Monday-Friday. Please refer to the Package Contents List for the parts list.

22640 68th Ave. S.
Kent, WA 98032, USA
www.classicaccessories.com
Email: customerservice@classicaccessories.com

Tel: (253) 395-3900
Fax: (253) 395-3991



ARIENS
THE KING OF SNOW

© 2017 • 17cH55_30999