

Instruction Sheet

Kit Number: 72407100, 72408100

SNOW CLEAN-OUT TOOL KIT



WARNING: FAILURE TO FOLLOW INSTRUCTIONS could result in personal injury and/or damage to unit.

Read, understand, and follow all safety practices in Owner/Operator Manual before beginning.

ACCIDENTAL ENGINE START UP can cause death or serious injury. ALWAYS stop engine, remove key, wait for moving parts to stop, and remove wire from spark plug before adjusting or servicing.

Package Contents

Check the contents of your kit for the parts listed below (Figure 1):

Item	Part No.	Qty	Description
1.	00170200	1	Snow Clean-Out Tool (724071)
	03901400	1	Snow Clean-Out Tool w/ Brush (724081)
2.	00170300	1	Snow Clean-Out Tool Mount
3.	06536000	2	10-24 Nylon Lock Nut with Insert
4.	06117600	2	10-24 x 1/2 Round Head Slotted Machine Screw

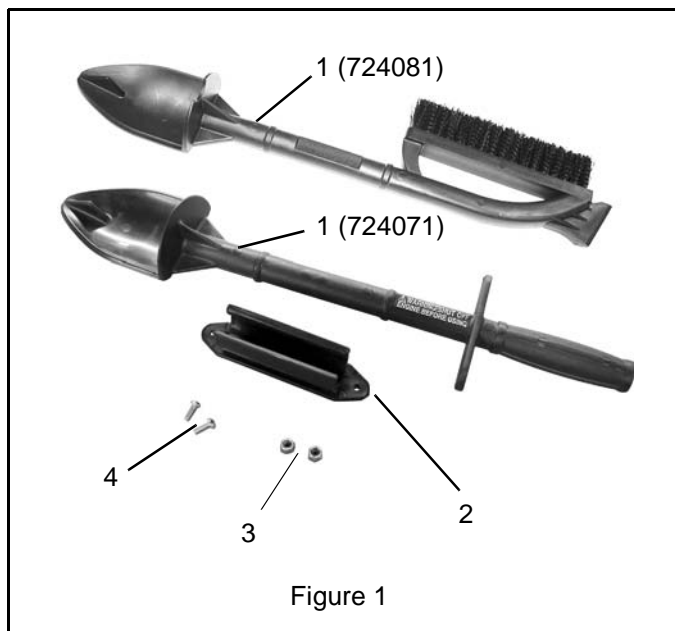


Figure 1

TOOLS NEEDED

- 3/8" Wrench
- Slotted Screwdriver
- 3/16" Drill Bit

INSTALLATION

1. Stop engine, wait for all moving parts to stop and hot parts to cool. Disconnect spark plug wire from spark plug.
2. Use the snow clean-out tool mount (item 2) as a template to lay out two mounting holes on the top of the auger housing. See Figure 2.

NOTE: Choose a location on the auger housing that will not interfere with the operation of the unit and that will prevent the snow clean-out tool (item 1) from hanging over the sides or over the front of the auger housing.

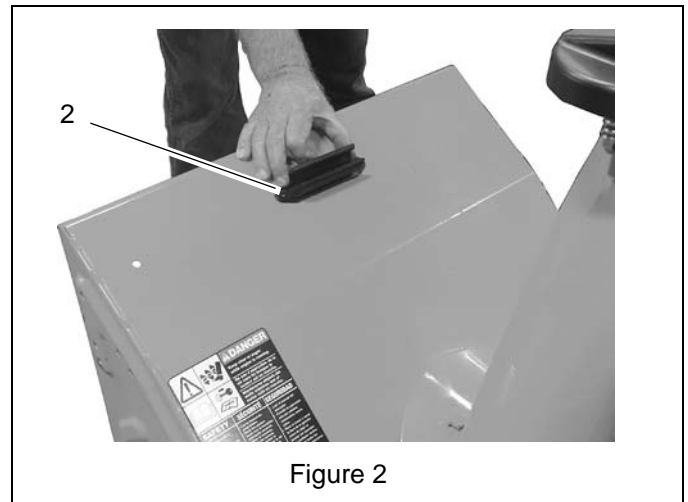


Figure 2

3. Drill the two 3/16" mounting holes through the auger housing.

NOTE: Do not overtighten the hardware when installing the snow clean-out tool mount (item 2). Overtightening will crack the mount.

NOTE: Install the hardware so the nylon lock nut is on the inside of the auger housing.

4. Install the snow clean-out tool mount (item 2) on the auger housing with two 10-24 x 1/2 round head slotted machine screws (item 4) and two 10-24 nylon lock nuts (item 3) as shown in Figure 3.

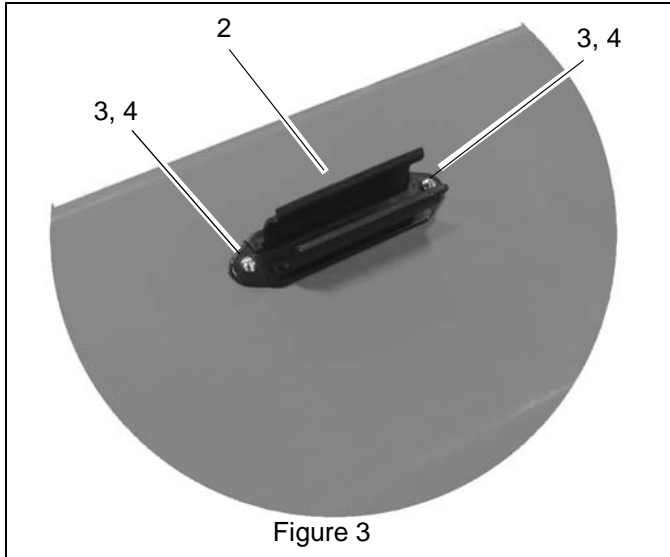


Figure 3

5. Snap the snow clean-out tool (item 1) into the snow clean-out tool mount (item 2) for storage.

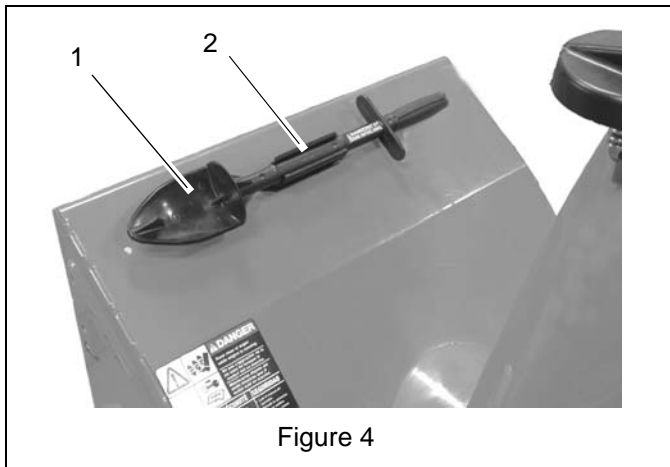


Figure 4

6. Reconnect spark plug wire to spark plug.

OPERATION



WARNING: Hand contact with the rotating impeller is the most common cause of injury associated with snow throwers. Never use your hand to clean out the discharge chute.

To clear the chute:

1. Shut off the engine.
2. Wait 10 seconds to be sure impeller blades have stopped rotating.
3. Remove the snow clean-out tool (item 1) from the snow clean-out tool mount (item 2) and use it to remove the clog.
4. Replace the snow clean-out tool (item 1) on the snow clean-out tool mount (item 2).