

# Instruction Sheet

## Kit Number: 72104500

### PRO SKID SHOE KIT



**WARNING:** FAILURE TO FOLLOW INSTRUCTIONS could result in personal injury and/or damage to unit.

Read, understand, and follow all safety practices in Operator's Manual before beginning.

### Package Contents

Check the contents of your kit for the parts listed below. Also see Figure 2.

Item	Description	Qty	AriensCo P/N
1	Skid Shoe	2	09463759
2	3/8"-16 x 1" Round Head Square Neck Bolt	4	06200235
3	3/8"-16 Conical Washer Nut	4	06501007

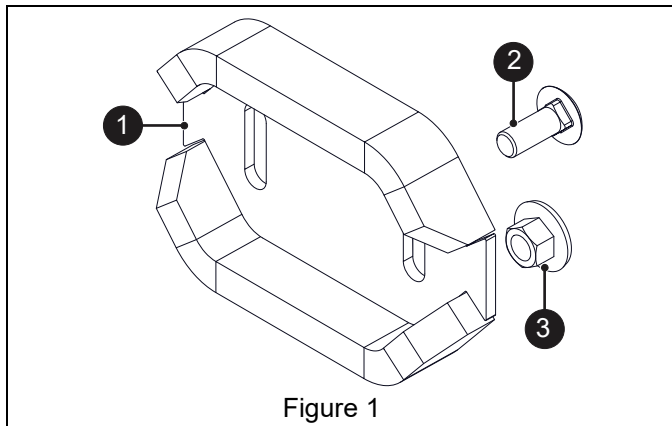


Figure 1

### REMOVAL

1. Place unit on a hard, flat level surface.
2. Wait for moving parts to stop and hot parts to cool.
3. Remove and discard hardware retaining skid shoes and discard skid shoes.

### INSTALLATION

1. Position skid shoes (item 1) and retain using two 3/8" x 1" round head square neck bolts (item 2) and two 3/8" washer nuts (item 3) on each side. Do not fully tighten until adjustment is complete. See Figure 2.

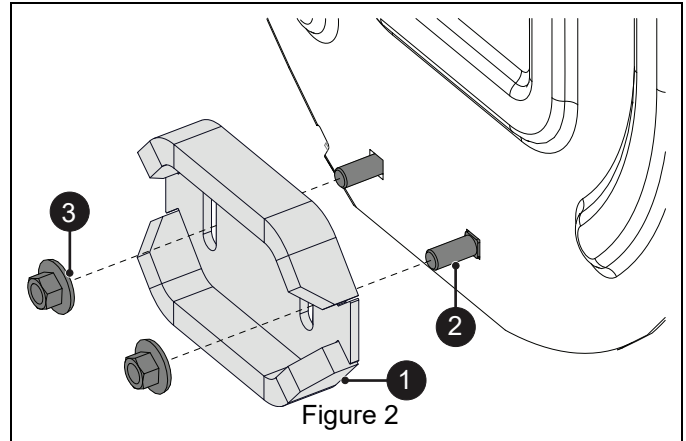


Figure 2

### ADJUSTMENT

1. Place unit on a hard, flat surface.
2. Place a spacer under each scraper blade end. See Figure 3.
  - Place one 3 mm (1/8") thick spacer under each side for use on hard, smooth surfaces.
  - Place one 22 mm (7/8") thick spacer under each side for use on uneven or gravel surfaces.
3. Lower skid shoes down to contact surface and tighten hardware.
4. Adjust both skid shoes equally.

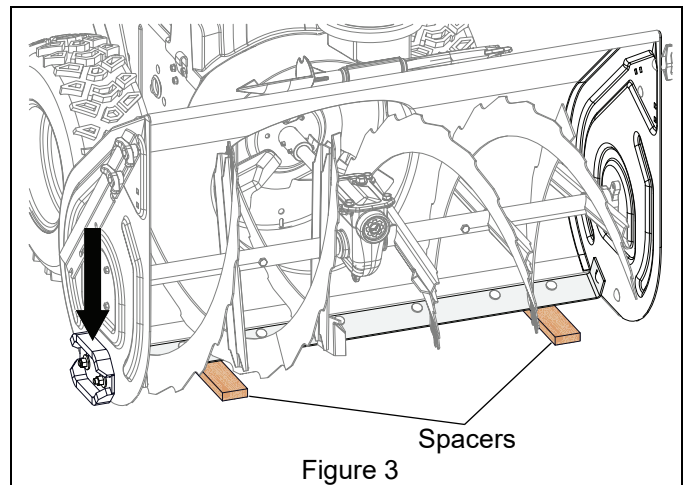


Figure 3