

Instruction Sheet

Kit Number: 71514900 & 71515900

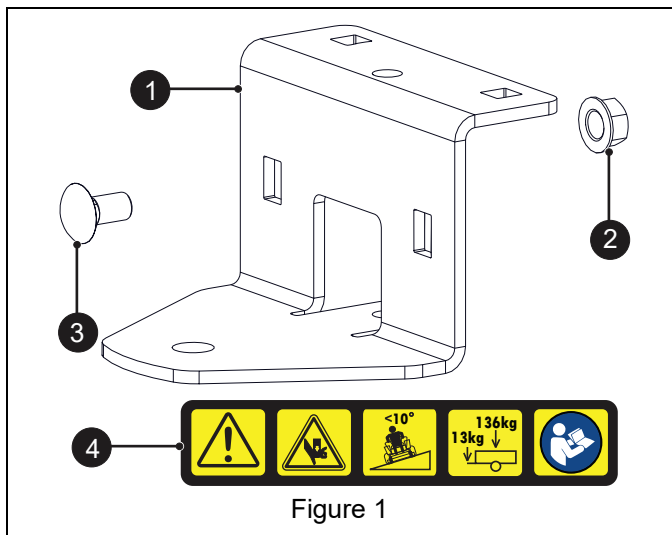
HITCH KIT

WARNING: FAILURE TO FOLLOW INSTRUCTIONS could result in personal injury and/or damage to unit.
Read, understand, and follow all safety practices in Operator's Manual before beginning.

Package Contents

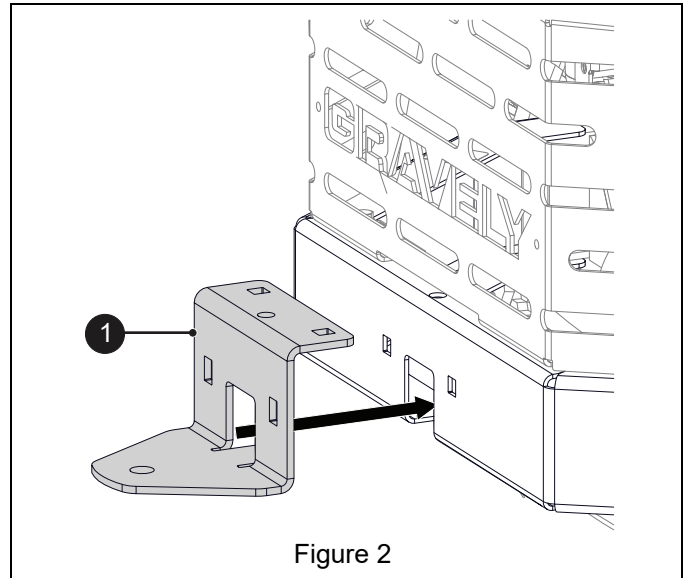
Check the contents of your kit for the parts listed below. Also see Figure 1.

Item	Description	Qty	Ariens P/N
1	Hitch Tongue Bracket	1	04835351
2	3/8"-16 Top Locking Flange Nut	4	06500822
3	3/8"-16 x 3/4" Round Head Square Neck Bolt	4	06200312
4	Trailer Hitch Decal	1	05367900

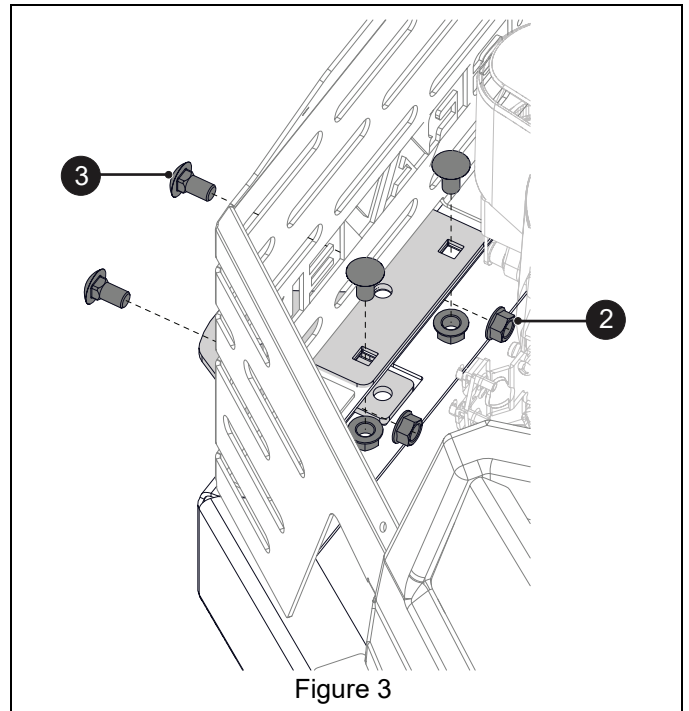


INSTALLATION

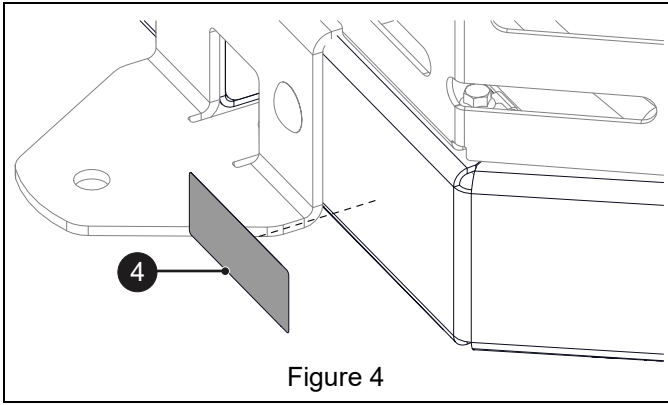
1. Stop engine, remove key and engage parking brake. Wait for moving parts to stop and for hot parts to cool.
2. Insert hitch bracket (item 1) into bumper. See Figure 2.



3. Retain hitch with four 3/8" x 3/4" round head square neck bolts (item 3) and four 3/8" top locking flange nuts (item 2). See Figure 3.

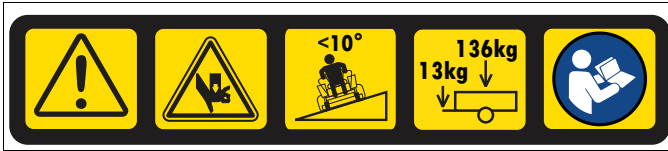


- Clean bumper surface and install trailer hitch decal (item 4) next to hitch. See Figure 4.



OPERATION

Read and understand safety decal warnings prior to using the hitch. Replace safety decal (item 4) if missing or damaged.



	CAUTION! Avoid injury.
	Pinch point. Keep hands away from moving parts. Moving parts can crush or cut.
	DO NOT operate on slopes over 10° .
	Maximum tongue weight: 13 kg (29 lb). Maximum trailer weight: 136 kg (300 lb).
	Read and understand the operator's manual before operating unit.