

# Instruction Sheet

## Kit Number: 79108500 & 70764300

### HITCH KIT



**WARNING: FAILURE TO FOLLOW INSTRUCTIONS** could result in personal injury and/or damage to unit.

Read, understand, and follow all safety practices in Operator's Manual before beginning.

### Package Contents

Check the contents of your kit for the parts listed below. Also see Figure 1.

Item	Description	Qty.	AriensCo P/N
1	Towing Hitch	1	09363751
2	Towing Safety Decal	1	05368100
3	1/2"-13 x 1 1/2" Hex Bolt	4	05901631
4	1/2"-13 Nylon Locking Flange Nut	4	06500810

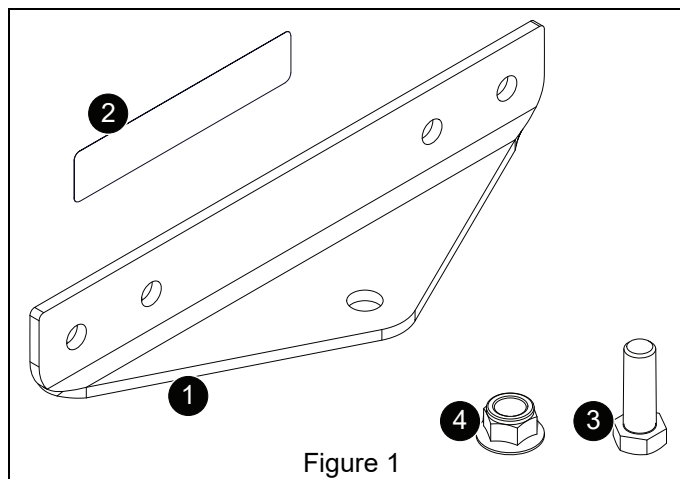


Figure 1

**IMPORTANT:** All references to the left, right, front, and rear are from the perspective of the operator in the operator's position facing the direction of forward travel.

1. Park unit on a flat, level surface and engage parking brake.
2. Stop engine, remove key and wait for all moving parts to stop and for hot parts to cool.
3. Disconnect spark plug wires.
4. **EV models only:** Remove hardware retaining bumper support bracket to bumper and discard. See Figure 2.

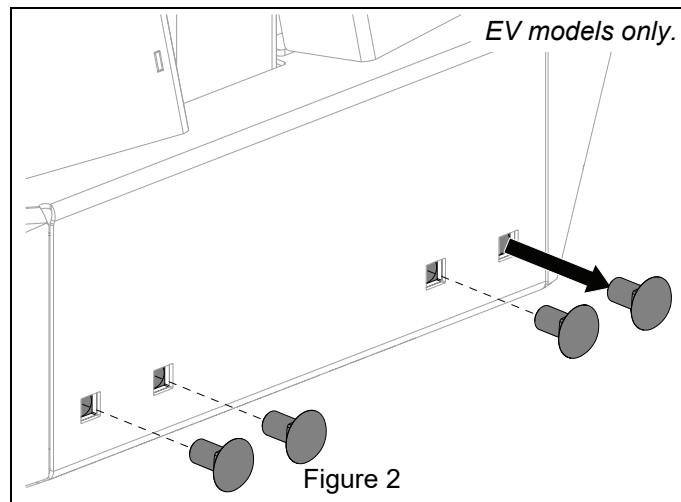


Figure 2

See Figure 3.

5. Secure towing hitch (item 1) to bumper with:
  - Four 1/2" x 1 1/2" hex bolts (item 3).
  - Four 1/2" nylon locking flange nuts (item 4).

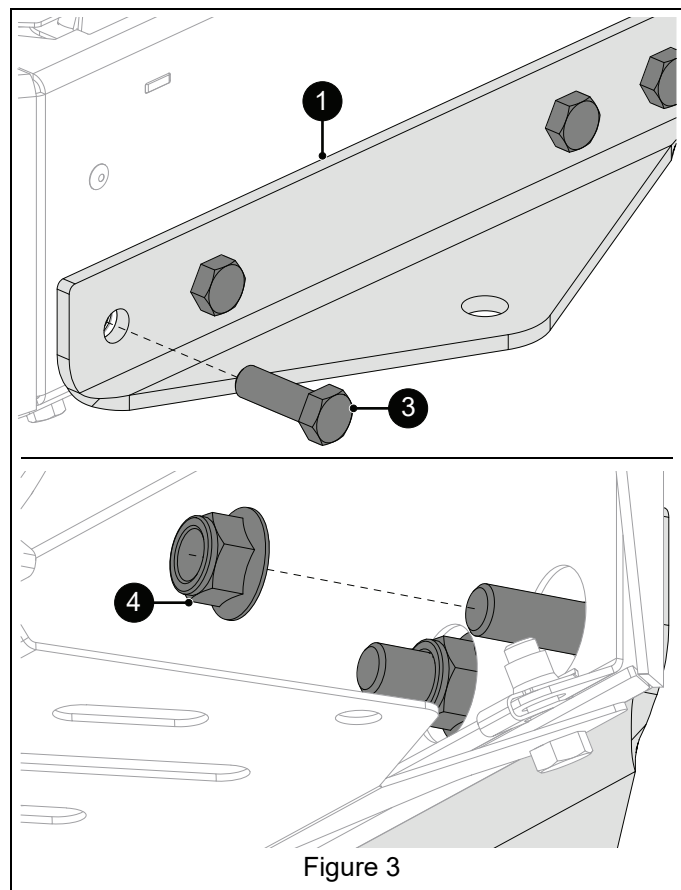


Figure 3

6. Clean dirt and debris from hitch plate surface with mineral spirits or similar solvent. Wipe clean with a dry rag or cloth.
7. Remove backing from towing safety decal (item 2) to expose adhesive surface.
8. Adhere decal to hitch plate. See Figure 4.

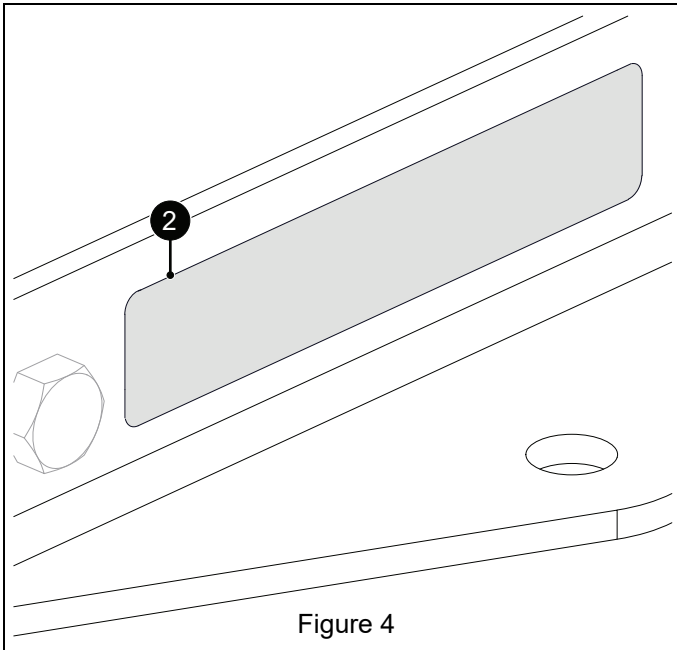


Figure 4

9. Reconnect spark plug wires.

## OPERATION

See Figure 5.

Read and understand safety decal warnings before using hitch. Replace decal if missing or damaged.

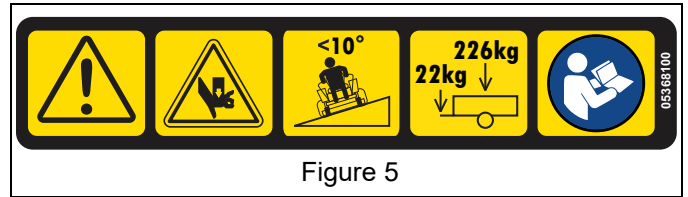


Figure 5

- CAUTION!
- Keep hands away from moving parts. Moving parts can crush or cut.
- DO NOT operate on slopes over  $10^\circ$ .
- Maximum tongue weight: 22 kg (48.5 lbs.)
- Maximum towing weight: 226 kg (498.2 lbs.)
- Read your unit's Operator's Manual.