

# Instruction Sheet

## Kit Number: 71510800

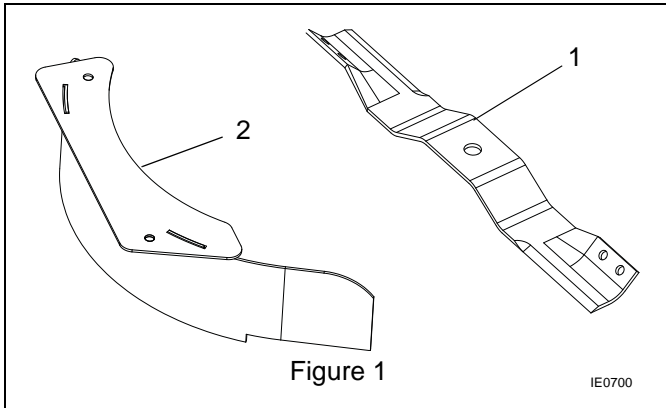
### 34-INCH MULCH KIT



**WARNING:** FAILURE TO FOLLOW INSTRUCTIONS could result in personal injury and/or damage to unit. Read, understand, and follow all safety practices in Owner/Operator Manual before beginning.

#### Package Contents

Check the contents of your kit for the parts listed below (Figure 1):



Item	Part No.	Qty.	Description
1	03797300	2	17.34 OS Mulch Blade
2	03788051	1	Mulch Baffle

#### SPECIAL TOOLS

1/2 and 5/8-inch wrenches  
Torque wrench

#### INSTALLATION

1. Stop engine, remove key, wait for all moving parts to stop and engine to cool, and disconnect spark plug wire.
2. Set deck to highest cutting height.
3. Raise the front of the unit to expose the blades. Securely support the unit.



**WARNING:** ALWAYS block wheels and know all jack stands are strong and secure and will hold weight of unit during maintenance.

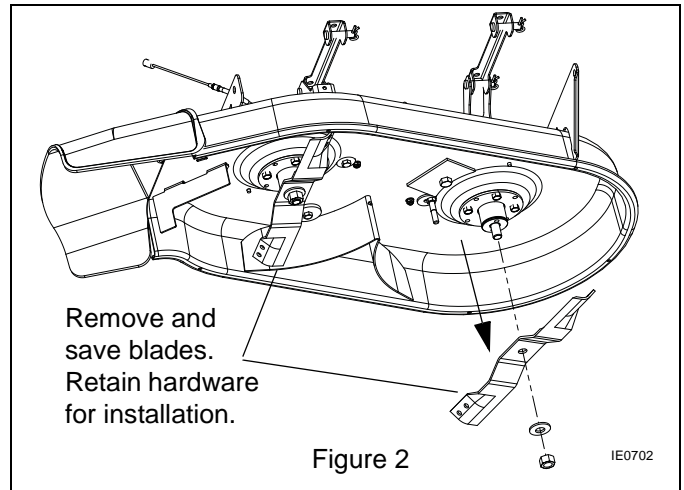


**CAUTION:** On multiblade mowers, rotation of one mower blade will cause all mower blades to rotate.

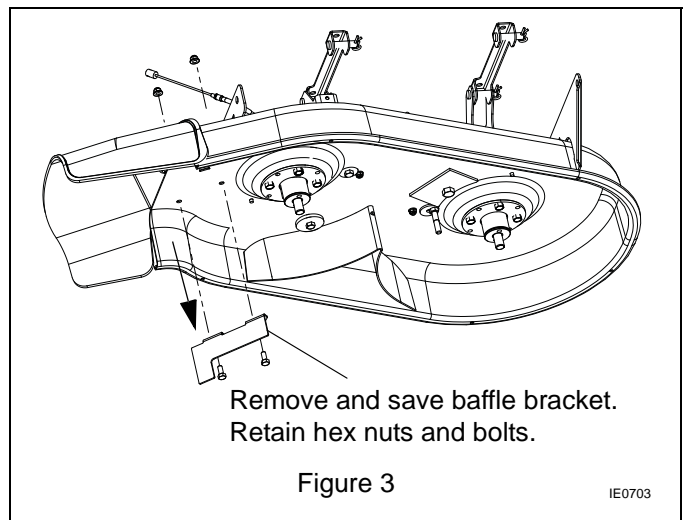


**WARNING:** Mower blades are sharp and can cut you. Wrap the blade(s) or wear gloves, and use extra caution when servicing them.

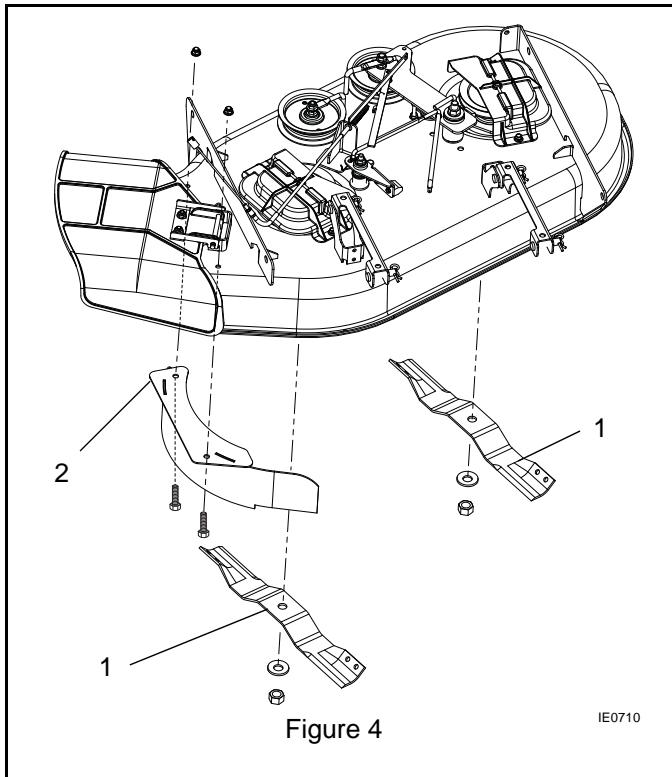
4. Remove existing blades from spindles. Save blades. Retain hardware for reinstallation (Figure 2).



5. Remove two hex bolts and nuts retaining baffle bracket and remove baffle bracket. Save bracket. Retain hex nuts and bolts for installation of mulch baffle (Figure 3).



6. Install replacement blades (item 1) on spindles and attach with flat washers and hex nuts removed earlier. Torque blade hex nuts to 92 – 130 lbf-ft (125 – 176 N•m) (Figure 4).
7. Position mulch baffle (item 2) to underside of deck and fasten from above with two 5/16-18" hex nuts and hex bolts removed earlier (Figure 4).



8. Return unit to operating position
9. Connect spark plug wire to spark plug.

## MULCHING TIPS

For superior mulching quality, follow these tips:

1. Mow at full throttle.
2. Mow at half speed.
3. Mow dry grass only. Mowing wet grass causes clumping.
4. Keep mower blades sharp.
5. Cut no more than 1 in. (2.54 cm) at a time. For tall grass, mow at a higher cutting height, then make a second (or third) pass with the deck set to the desired cutting height.
6. Clean the underside of deck after each mowing.

**NOTE:** DO NOT wash mower with high-pressure sprayer when cleaning deck or mower.