

# Instruction Sheet

## Kit Number: 72101100 & 72603100

### SKID SHOE KIT



**WARNING: FAILURE TO FOLLOW INSTRUCTIONS** could result in personal injury and/or damage to unit.  
Read, understand, and follow all safety practices in Operator's Manual before beginning.

### Package Contents

Check the contents of your kit for the parts listed below.

#### Kit 72101100 (Steel Skid Shoes) See Figure 1

Item	Description	Qty	AriensCo P/N
1	Reversible Skid Shoe	2	02483859
2	3/8"-16 x 1" Round Head Square Neck Bolt	4	06200235
3	3/8"-16 Locking Center Nut	4	06500825
4	7/16" Flat Washer	4	06401008

#### Kit 72603100 (Composite Skid Shoes) See Figure 2

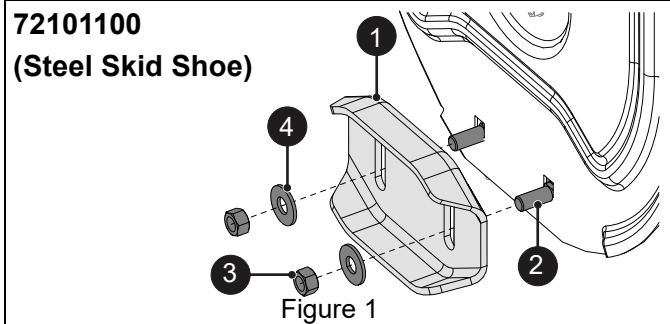
Item	Description	Qty	AriensCo P/N
5	Skid Shoe Support	2	N/A
6	Skid Wear Shoe	2	N/A
7	3/8"-16 x 3/4" Round Head Square Neck Bolt	4	06200336
8	3/8"-16 Locking Center Nut	4	06500825
9	3/8" Flat Washer	4	06401023

### REMOVAL

1. Place unit on a hard, flat level surface.
2. Remove and discard hardware retaining skid shoes and discard skid shoes.

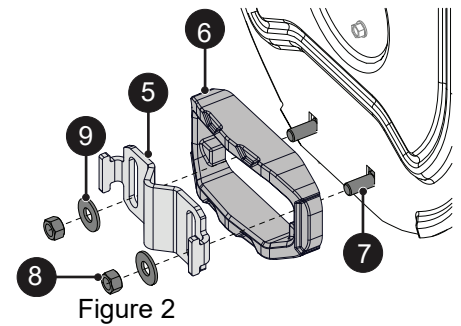
### INSTALLATION

1. Loosely install new skid shoes using hardware included in kit. Do not fully tighten until adjustment is complete.



### 72603100

#### (Composite Skid Shoe)



### ADJUSTMENT

1. Place unit on a hard, flat surface.
2. Place a spacer under each scraper blade end. See Figure 3.
  - Place one 3 mm (1/8") thick spacer under each side for use on hard, smooth surfaces.
  - Place one 22 mm (7/8") thick spacer under each side for use on uneven or gravel surfaces.
3. Lower skid shoes down to contact surface and tighten hardware.
4. Adjust both skid shoes equally.

