

# Instruction Sheet

## Kit Number: 79104400, 79104500, 79213500, 79206600, 79209700, 79213600, 79401400

### 44", 48", 52", 60", 66", & 72" MULCH KITS

**WARNING:** FAILURE TO FOLLOW INSTRUCTIONS could result in personal injury and/or damage to unit.

Read, understand and follow all safety practices in Owner/Operator Manual before beginning.

ACCIDENTAL ENGINE START UP can cause death or serious injury. ALWAYS stop engine, remove key, wait for moving parts to stop, and remove wire from spark plug before adjusting or servicing.

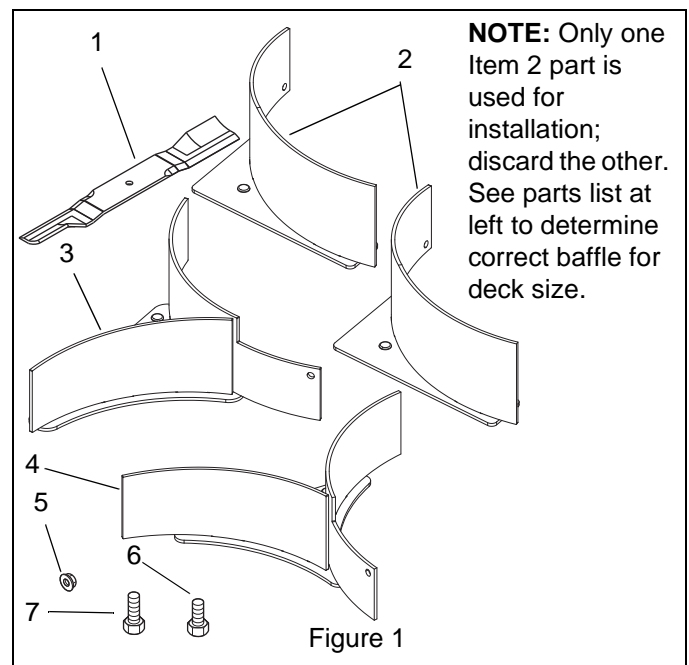
SHARP EDGES CAN CUT BODY PARTS. ALWAYS wrap blades, wear protective gloves and use extreme caution when handling blades.

### Package Contents

Check the contents of your kit for the parts listed below. Also see Figure 1.

Item	Description	Qty	Part Number
1	44" & 48" Mulch Blade 16.25	3	00273000
	52" Mulch Blade 18.00	3	00273100
	60" Mulch Blade 20.50	3	03367100
	66" Mulch Blade 22.50	3	01065300
	72" Mulch Blade 24.50	3	09290600
2	<b>Serial Numbers 101 – 19999</b>		
	44" Discharge Mulch Baffle	1	00448851
	48" Discharge Mulch Baffle	1	00451251
	52" Discharge Mulch Baffle	1	00445051
	60" Discharge Mulch Baffle	1	00369951
	66" Discharge Mulch Baffle	1	01065051
	72" Discharge Mulch Baffle	1	00457151
	<b>Serial Numbers 20000 +</b>		
	44" Discharge Mulch Baffle	1	04531351
	48" Discharge Mulch Baffle	1	04560051
	52" Discharge Mulch Baffle	1	04526851
	60" Discharge Mulch Baffle	1	04526551
	66" Discharge Mulch Baffle	1	01065051
	72" Discharge Mulch Baffle	1	00457151

Item	Description	Qty	Part Number
3	44" & 48" Left Mulch Baffle	1	00448751
	52" Left Mulch Baffle	1	00444251
	60" Left Mulch Baffle	1	00369751
	66" Left Mulch Baffle	1	01065251
	72" Left Mulch Baffle	1	00445351
4	44" & 48" Right Mulch Baffle	1	00448651
	52" Right Mulch Baffle	1	00444851
	60" Right Mulch Baffle	1	00367651
	60" Right Mulch Baffle (S/N 40000+ 79401400 Only)	1	04795951
	66" Right Mulch Baffle	1	01065151
	72" Right Mulch Baffle	1	00445451
5	5/16-18" Nyloc Flange Nut	8*	06545400
	* 60" Deck 79401400 – Qty. 9		
6	5/16-18 x 1" Hex Bolt	2*	05946900
	* 60" Decks – Qty. 1		
	* 48", 52" & 66" Decks – Qty. 2		
7	5/16-18 x 1.5" Hex Bolt	1*	05952400
	(48" & 60" Decks Only)		
	* 60" Deck 79401400 – Qty. 2		



## INSTALLATION

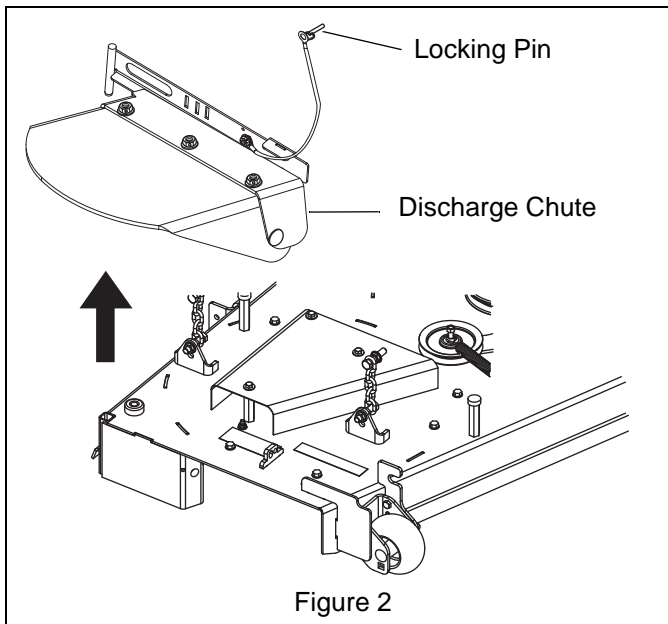


**WARNING:** ALWAYS block wheels and know all jack stands are strong and secure and will hold weight of unit during maintenance.

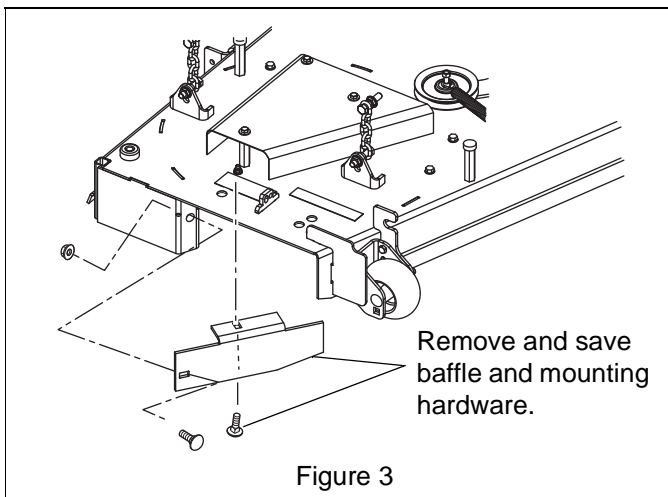


**CAUTION:** On multiblade mowers, rotation of one mower blade will cause all mower blades to rotate.

1. Stop engine, set parking brake, remove ignition key, and wait for all hot parts to cool.
2. Disconnect locking pin from deck and remove discharge chute. Save discharge chute for operating unit without mulch kit. See Figure 2.

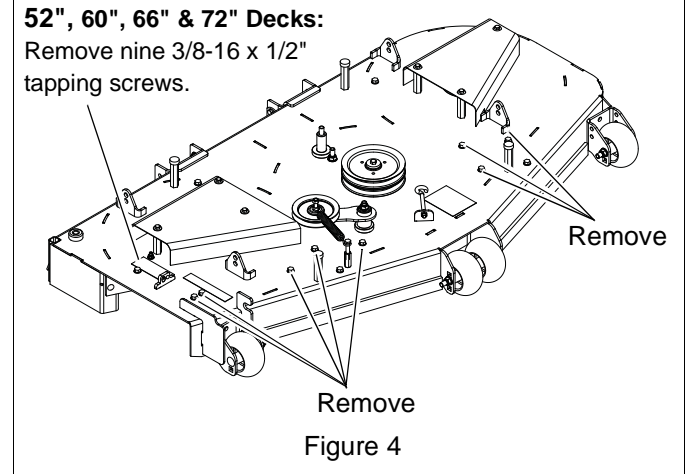


3. Remove small discharge baffle from deck. Save baffle and hardware for operating unit without mulch kit. See Figure 3.

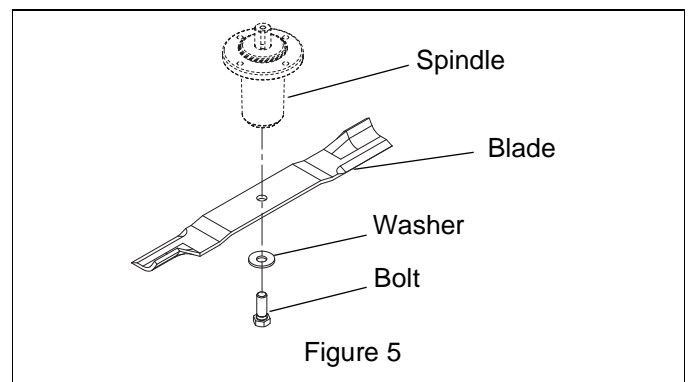


4. Lower deck to lowest position and then raise front of unit to expose underside. See detailed instructions in Owner/Operator Manual.
5. Remove tapping screws from mower deck. Save all hardware for operating unit without mulch kit. See Figure 4.

**NOTE:** 44" decks have eight tapping screws; 52", 60", 66" and 72" decks have nine.



6. Remove bolt and washer retaining blades to spindle and remove blades. Retain all hardware. Save blades for operating unit without mulch kit. See Figure 5.



7. Install mulching blades with spindle hardware removed in Step 6. Torque blade bolt to 115 – 120 lbf-ft (156 – 163 N•m).

8. Install left mulch baffle (Item 3), right mulch baffle (Item 4) and discharge mulch baffle (Item 2) on the mower deck with eight 5/16"-18 nyloc flange nuts (Item 5). See Figure 7.

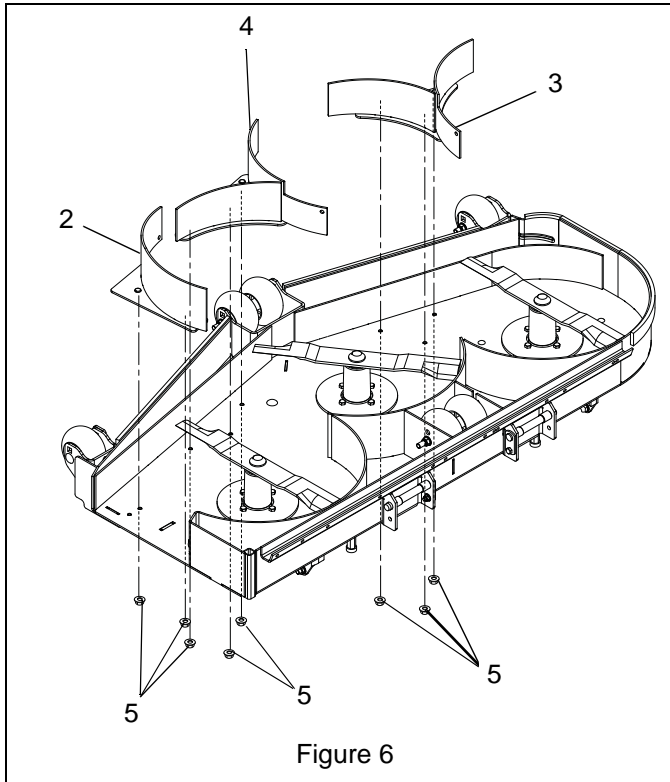


Figure 6

**48" Decks:** Install right baffle with one 5/16-18 x 1" hex bolt (Item 6) and one 5/16-18 x 1.5" hex bolt (Item 7). Install left baffle with one 5/16-18 x 1" hex bolt (Item 6). See Figure 7.

**60" Decks:** Install right baffle with one 5/16-18 x 1" hex bolt (Item 6). Baffle 79401400 requires two 5/16-18 x 1.5" hex bolts (Item 7).

Install left baffle with one 5/16-18 x 1.5" hex bolt (Item 7). See Figure 7.

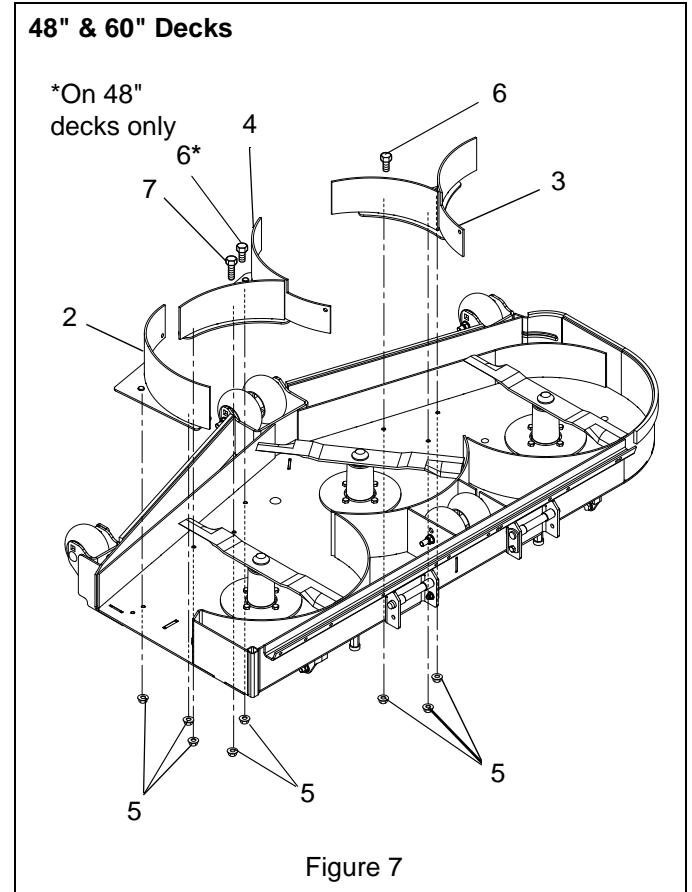
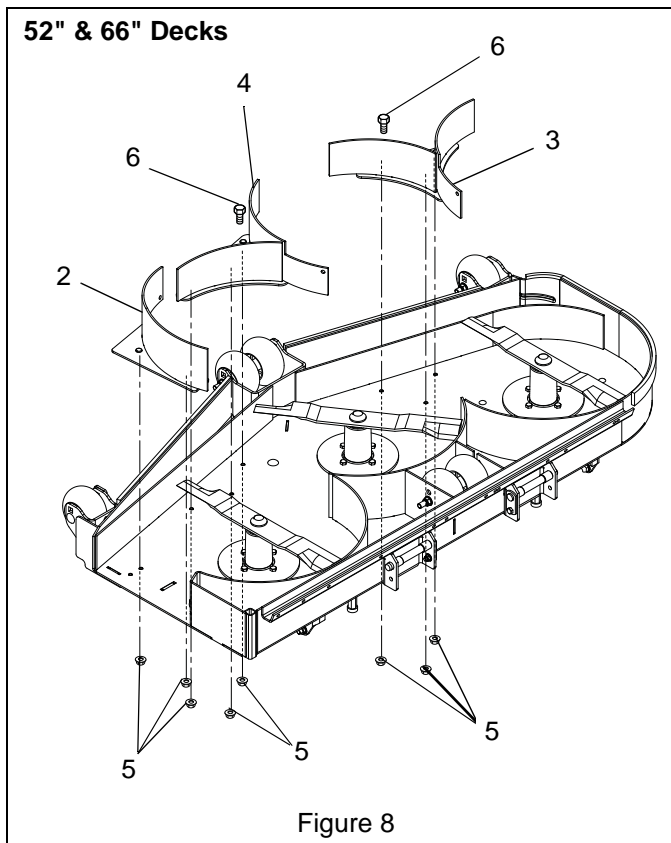


Figure 7

**52" & 66" Decks:** Install right baffle with one 5/16-18 x 1" hex bolt (Item 6). Install left baffle with one 5/16-18 x 1.5" hex bolt (Item 7). See Figure 8.



## FOR BEST PERFORMANCE

- Cut grass when it is dry.
- Keep mower blades sharp.
- Keep mower deck properly leveled.
- Adjust anti-scalp rollers to prevent scalping.
- Do not set height of cut too low. For very tall grass, mow twice.
- Do not travel too fast.
- Mow with engine set at full throttle.
- When mulching, only remove 1/3 of grass length per cutting.
- Vary cutting pattern with each mowing.
- Do not allow grass or debris to collect inside mower deck. Clean after each use.

9. Check for blade clearance and then securely tighten hardware.
10. Return unit to operating position.